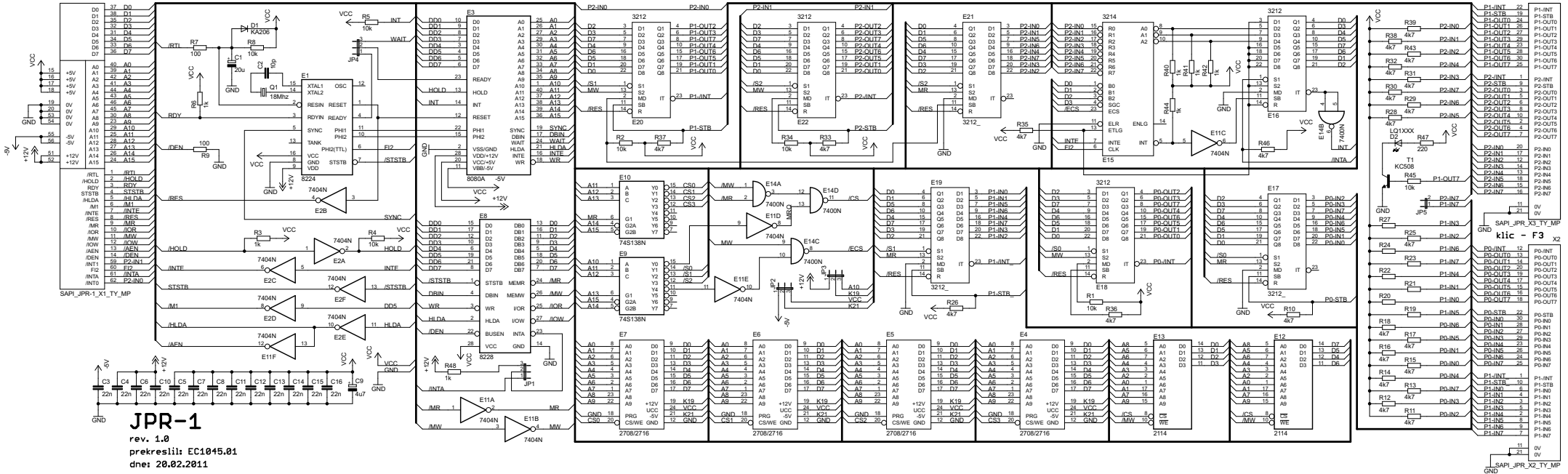


klıc - F3

D[0..7],A[0..15],RTL_HOLD,RDY,STSTB,H LDA,M1,INTE,RES,MR,ICR,MW,IOV,AWEN,DEN,INT1,FI2,INTA,INTD[0..7],DBIN,H LDA,WR,SYNC,WAITE,INT,HOLD,INT,STSTB,GND,VCC,MW,CS[0..3],S[0..2],ECS,CSK19,K21

klıc - C6



JPR-1
 rev. 1.0
 prekeslii: EC1045.01
 dne: 20.02.2011

SAPI_JPR_X2_TY_MP
 11 0V
 21 0V