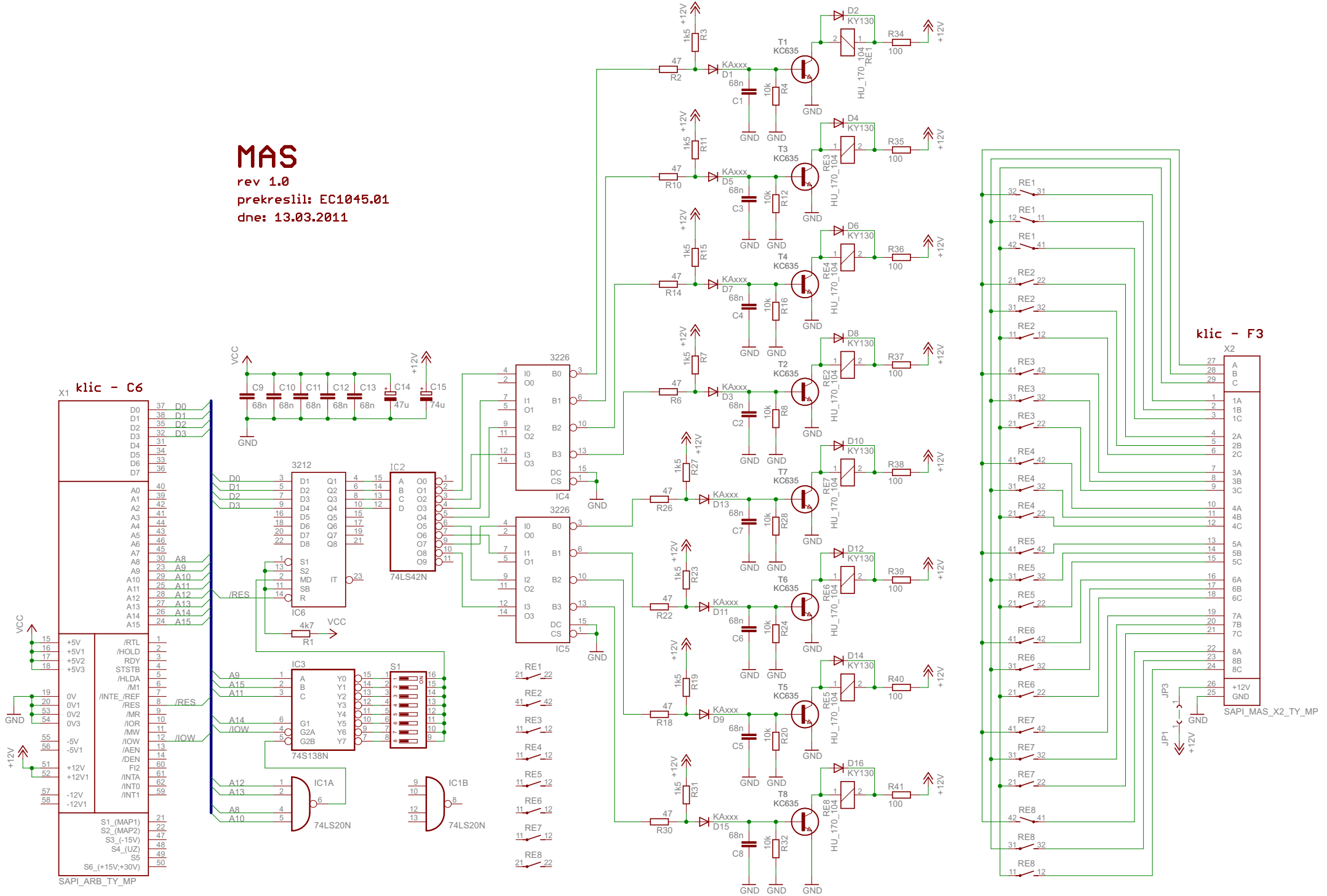


# MAS

rev 1.0

prekreslil: EC1045.01

dne: 13.03.2011



klic - F3

X2	Pin	Signal
A	1	1A
B	2	1B
C	3	1C
	4	2A
	5	2B
	6	2C
	7	3A
	8	3B
	9	3C
	10	4A
	11	4B
	12	4C
	13	5A
	14	5B
	15	5C
	16	6A
	17	6B
	18	6C
	19	7A
	20	7B
	21	7C
	22	8A
	23	8B
	24	8C
	25	+12V
	26	GND
	27	A
	28	B
	29	C

SAPI\_MAS\_X2\_TY\_MP



JPT3  
JPT1